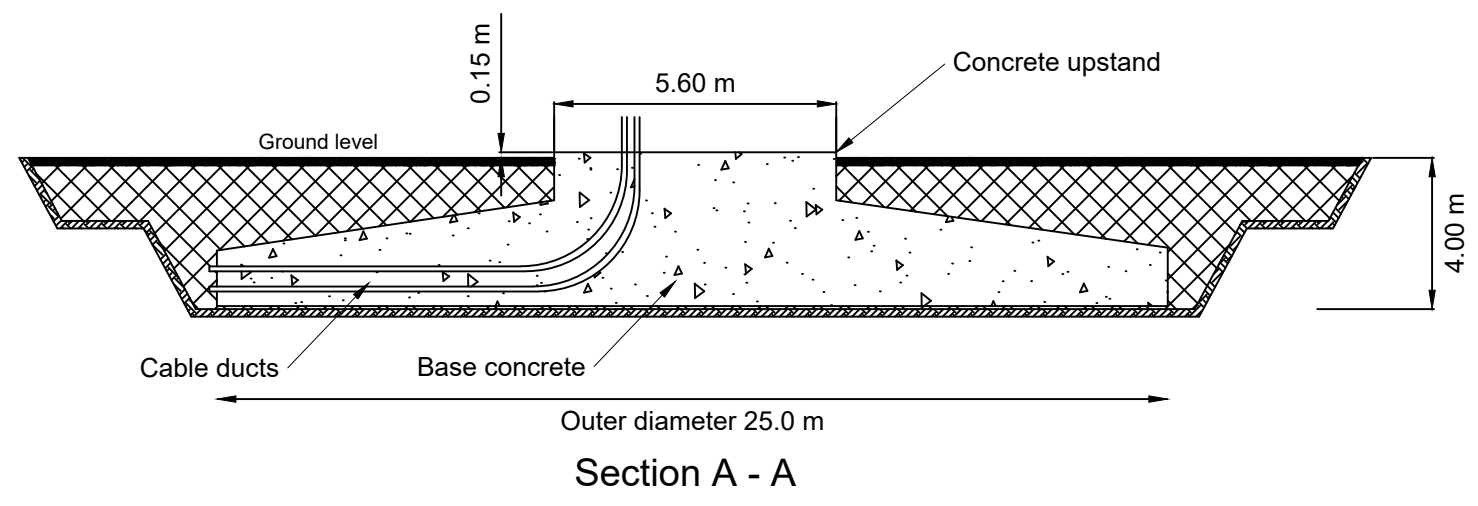
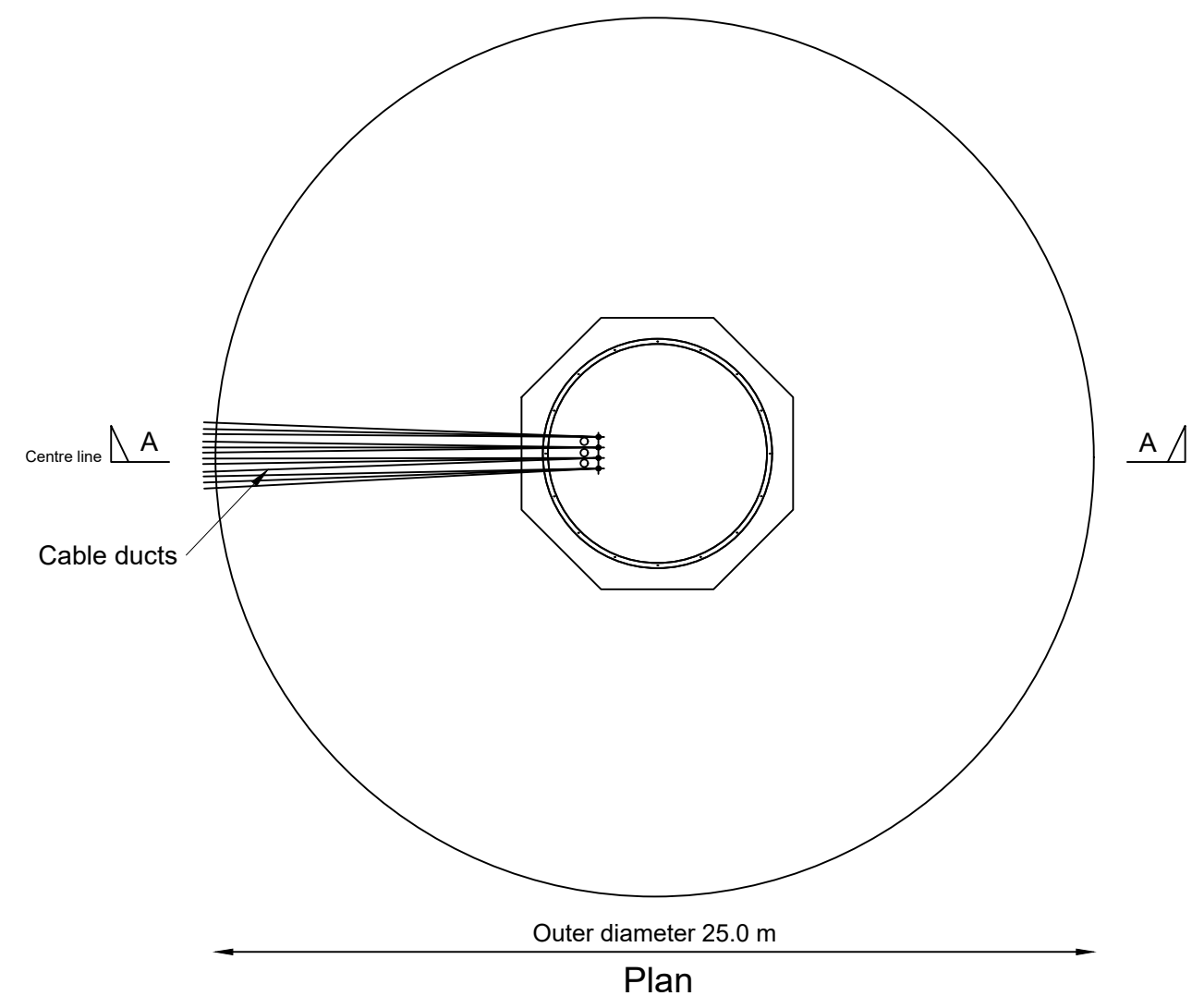


Project:  
**Daer Wind Farm, South Lanarkshire/Dumfries & Galloway**

Title:  
**Figure 3.2: Indicative Turbine Foundation Specification**



N.B. Exact wind turbine foundation requirements to be determined by ground investigation

Scale: 1:200 @ A3

0 2 4 6 8 10 m

Date: 27-01-21 Prepared by: IW Checked by: GS

Ref: GB200492\_D\_013\_A

Drawing by:  
 The Natural Power Consultants Limited.  
 The Green House  
 Forrest Estate, Dalry  
 Castle Douglas, DG7 3XS, UK  
 Tel: +44 (0) 1644 430008  
 Fax: +44 (0) 845 299 1236  
 Email: sayhello@naturalpower.com  
 www.naturalpower.com

